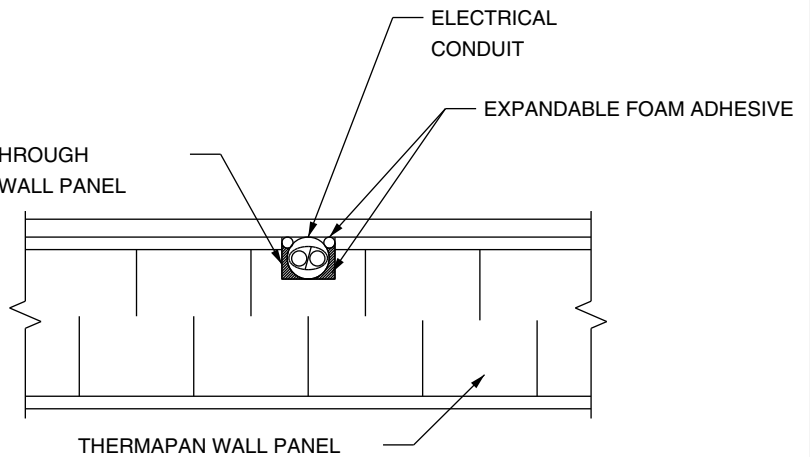
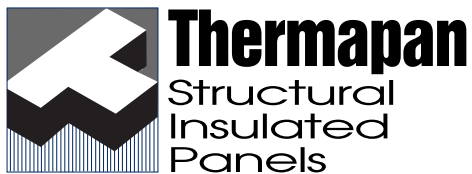


ISOMETRIC

CUT VERTICALLY THROUGH
INTERIOR SKIN OF WALL PANEL



SECTION A-A



www.thermapan.com
1-877-443-WALL (9255)

TITLE		PROJECT	
VERTICAL ELECTRICAL CHASE [®]			
REFERENCE	SCALE		
8015	AS NOTED		
DATE	REVISION	DWG. No.	
MAR. 1999	1	W-8a	