

The better way to build™



Installation Manual

FLOOR SIPs



Thermapan
Structural
Insulated
Panels

FLOOR SIPs Installation Manual

Table of Contents

Topics

General Requirements	3
Materials	3
Protection from Dampness	3
Interior Finish	3
Electrical Wiring	4
Plumbing	4
Materials Estimation	5

Details

Air Barrier Details for Air Barrier Sealants	AB-1
Air Barrier Details for Sealing SIP Connections	AB-2
Drawing FL-1: Floor Panel Details	FL-1
Drawing FL-2: Floor Panel Connections (to Foundation or Existing Walls)	FL-2
Drawing FL-3: Floor Panel Connections (to SIP Exterior and SIP Foundation Walls)	FL-3

FLOOR SIPs

Installation Manual

1. General Requirements

1.1 Scope

The basic design and construction requirements for the Thermapan Structural Insulated Panel (SIP) floor systems are set forth in this specification. Criteria for materials, environmental control, design loads, and structural design are included. Where requirements are based on internationally recognized standards and specifications, these standards and specifications are referenced without elaboration.

Installers shall reference engineering design package for fastening arrangements.

2. Materials

2.1 Floor SIP (See Detail FL-1)

The Thermapan SIP is composed of an expanded polystyrene (EPS) foam core laminated between two layers of oriented strand board (OSB) with a structural adhesive.

2.2 Framing Lumber shall be DOC PS 20 or NLGA No.2 or better.

2.3 Wire nails, ring nails, spikes and staples shall conform to CSA B111 or ANSI B11.1.

2.4 Wood screws shall conform to ANSI/ASME B18.6.1.

2.5 SIP screws shall conform to ICC-AC233.

2.6 Caulking Compounds shall conform to CAN/CGSB 19.13 or ASTM C 920.

2.7 Polyethylene Sheeting shall conform to CAN/CGSB-37.2, CAN/CGSB-37.16, or ASTM D 4397.

2.8 Low expansion foam seal shall conform to AAMA 812-04.

2.9 Structural adhesive shall conform to CAN/CGSB 71GP26, APA AFG-01 or ASTM D3498.

3. Decay and Termite Protection

3.1 The minimum vertical clearance between structural wood elements and the finished ground level is not to be less than 150 mm (6").

3.2 In localities where termites are known to occur, clearance between the exposed exterior osb skin of the floor SIP and the finished ground level directly below shall be not less than 450 mm (18").

4. Interior Finish

- 4.1** A plywood underlay may be required for hardwood and ceramic tile finishes.

5. Electrical Wiring

- 5.1** It is recommended to fasten wiring to the exterior OSB layer and drill access through to interior layer.
- 5.2** Exposed wire shall conform to local building code.

6. Plumbing

- 6.1** Vertical plumbing penetrations 6" in diameter or less can be cut out of the floor SIP.

MATERIALS ESTIMATING
Floors – Estimation Only

Lumber Requirements:

- Single lumber edging for ledger
- Double lumber edging under wall

Caulking and Sealant Requirements:

- Every 1200 sqft (111 m²) of SIP equals 1 case of Expandable Foam
- Every 2000 sqft (185 m²) of SIP requires 1 case of Sealant

Fasteners:

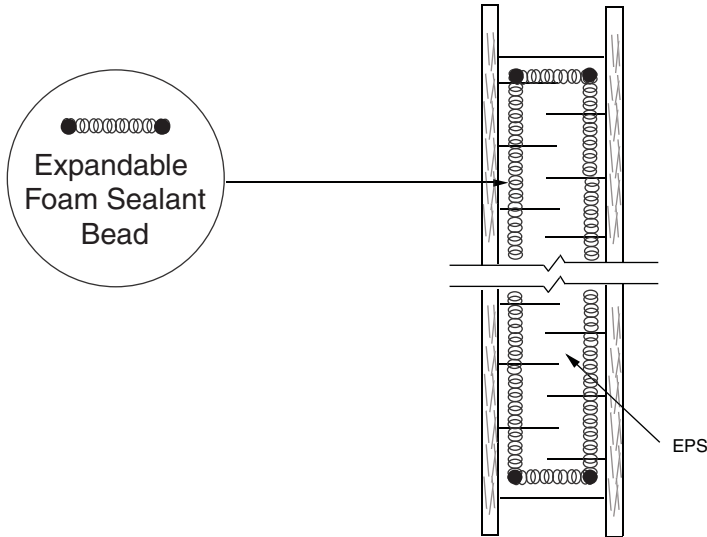
- Recommend 2" (50mm) Ring nail or 2" (50mm) screws for connection to panel
- ~ 1.25 times the square footage of SIPs... nailing of spline
- SIP screws use 40% of Floor square footage

AIR BARRIER

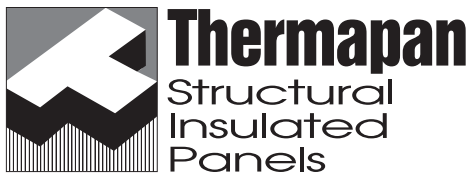
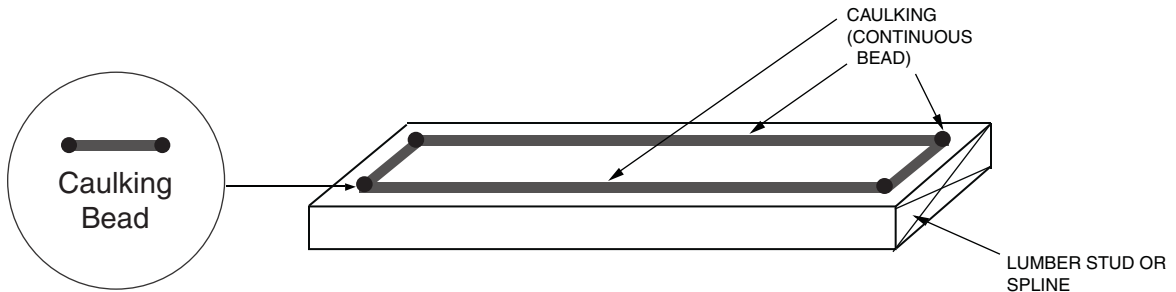
RECOMMENDED DETAILS FOR AIR BARRIER SEALANTS

All sealants, FOAM (A) or CAULKING (B), should be applied onto the SIP in a continuous rectangular pattern along the outer most edge of the area to be sealed.

(A) A low expansion EXPANDABLE FOAM SEALANT should conform to the AAMA 812-04 standard. Apply a 1/2 inch or a 12.5 mm diameter of a *continuous* bead of expandable foam sealant onto the SIP:



(B) A CAULKING SEALANT should conform to ASTM C920-02 and/or CAN/CGSB 19.13-M. Apply a 3/8 inch or a 10 mm diameter *continuous* bead of caulking onto the lumber spline:



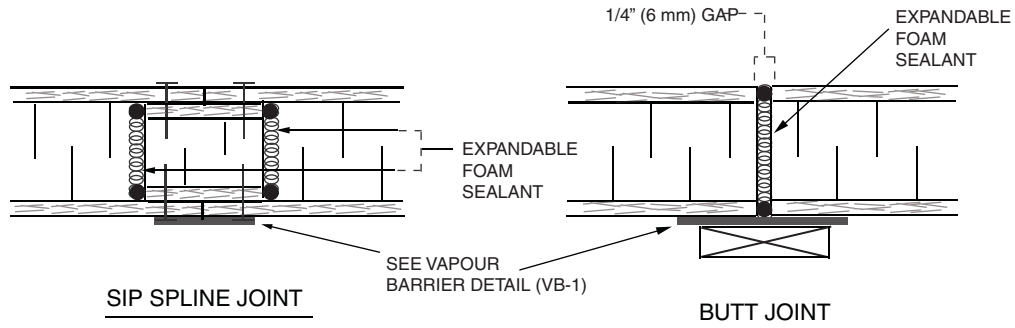
www.thermapan.com
1-877-443-WALL (9255)

TITLE		PROJECT	
AIR BARRIER DETAILS FOR AIR BARRIER SEALANTS			
REFERENCE	SCALE		
	N.T.S.		
DATE	REVISION	DWG. No.	
NOVEMBER 2010	1	AB-1	

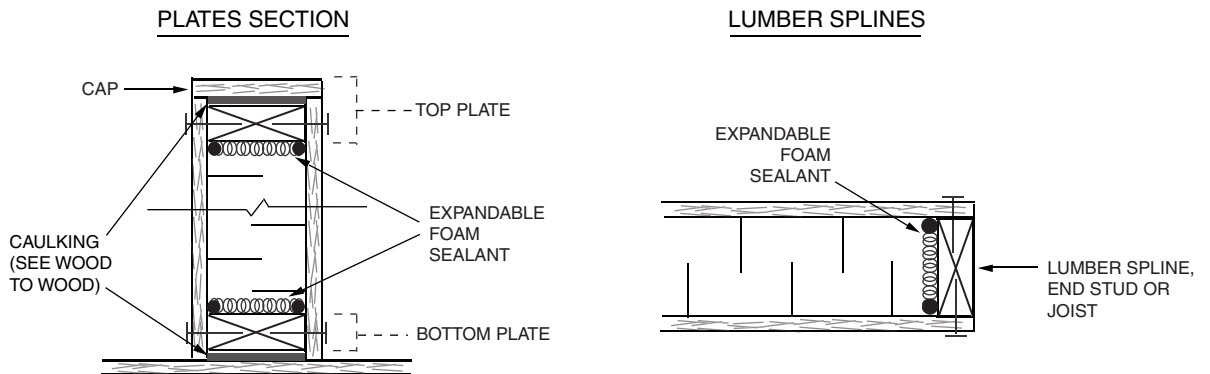
AIR BARRIER

RECOMMENDED DETAILS FOR SEALING SIP CONNECTIONS

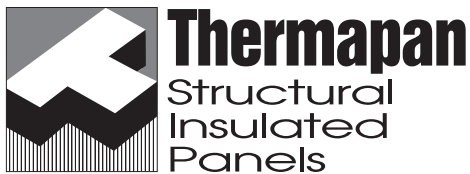
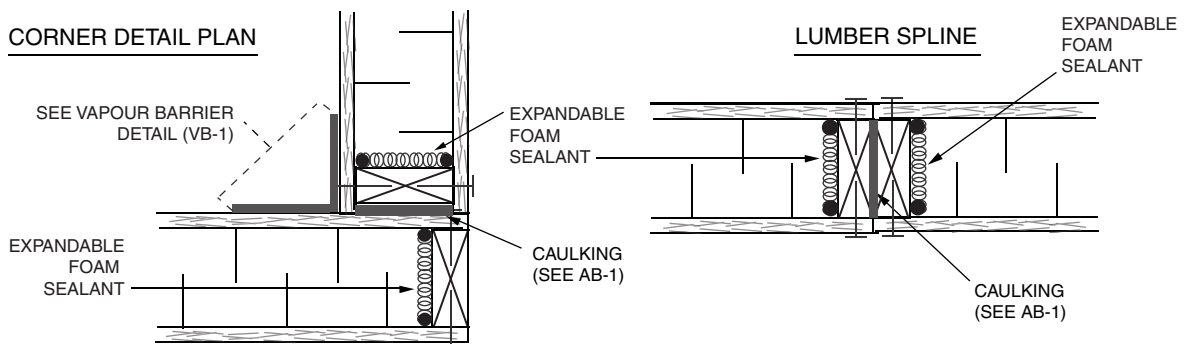
(1) Foam to Foam: Use a low expansion foam sealant.



(2) Foam to Wood: Use a low expansion foam sealant.



(3) Wood to Wood: Use caulking and a low expansion foam sealant.

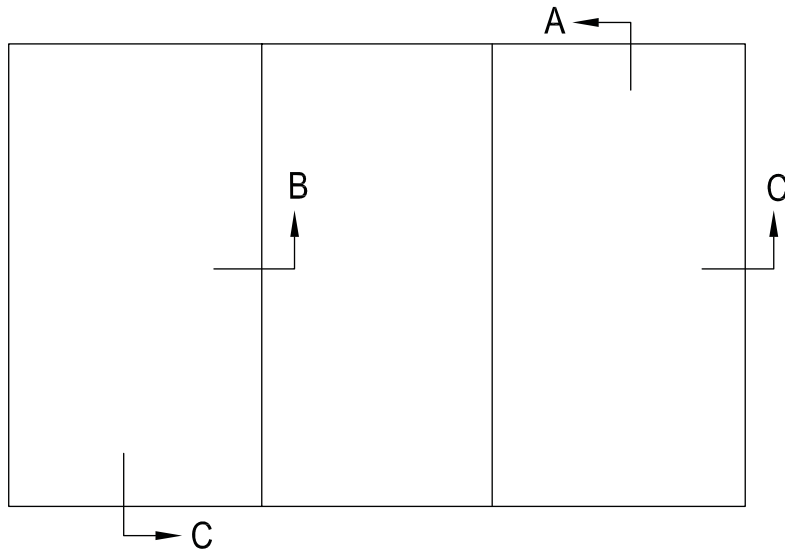


www.thermapan.com
1-877-443-WALL (9255)

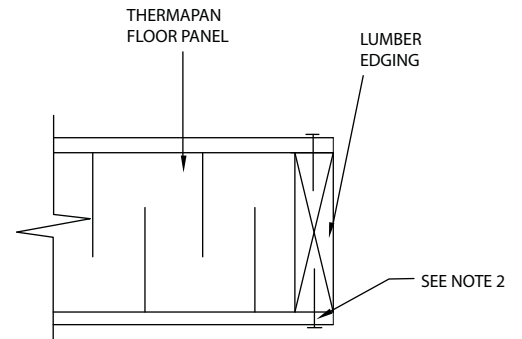
TITLE		PROJECT	
AIR BARRIER DETAILS FOR SEALING SIP CONNECTIONS			
REFERENCE	SCALE		
	N.T.S.		
DATE	REVISION	DWG. No.	
MAY 2009		AB-2	



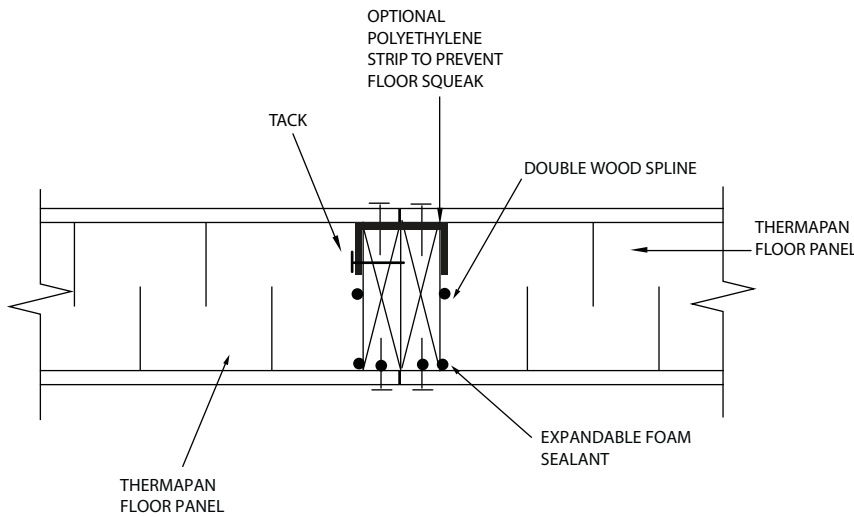
SECTION



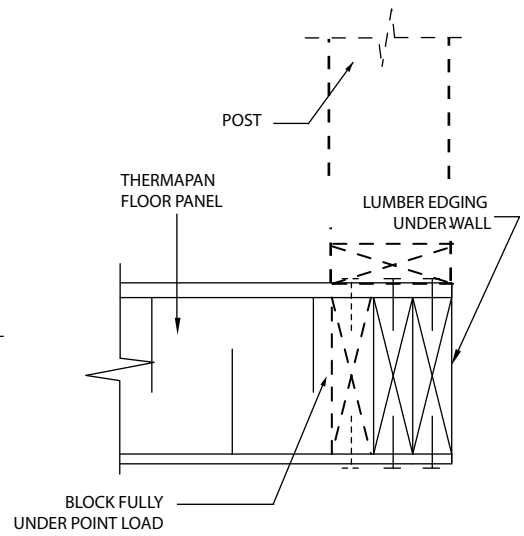
PANEL FLOOR PLAN



FLOOR SECTION "A"



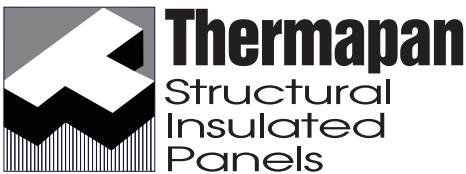
FLOOR SECTION "B"



FLOOR SECTION "C"

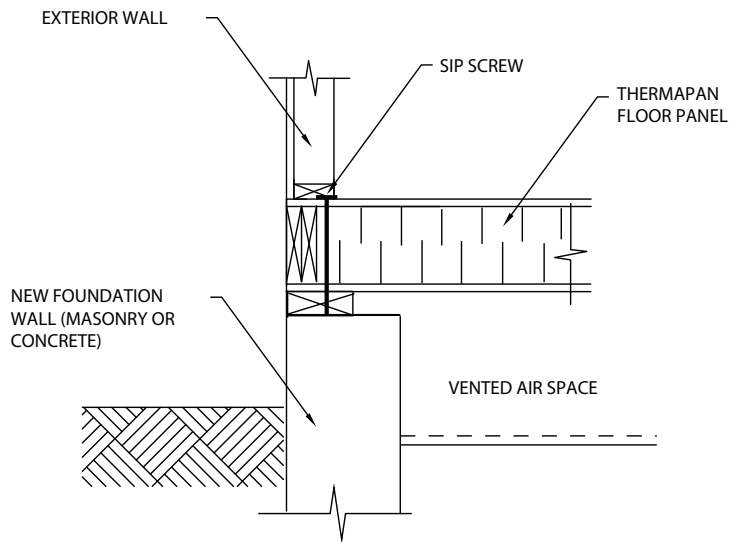
NOTE: REFER TO AIR BARRIER DETAILS (AB-1 & AB-2).

NOTE 2: REFERENCE FLOOR PANEL FASTENING TABLE ON CONNECTION DESIGN (CD) SHEET OF ENGINEERING DRAWINGS

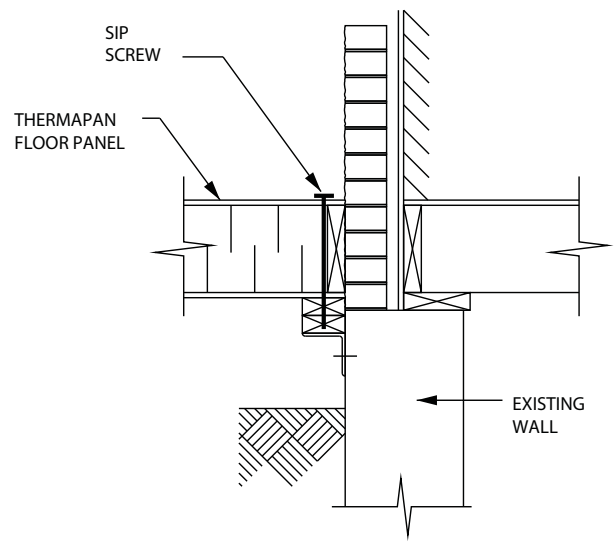


www.thermapan.com
1-877-443-WALL (9255)

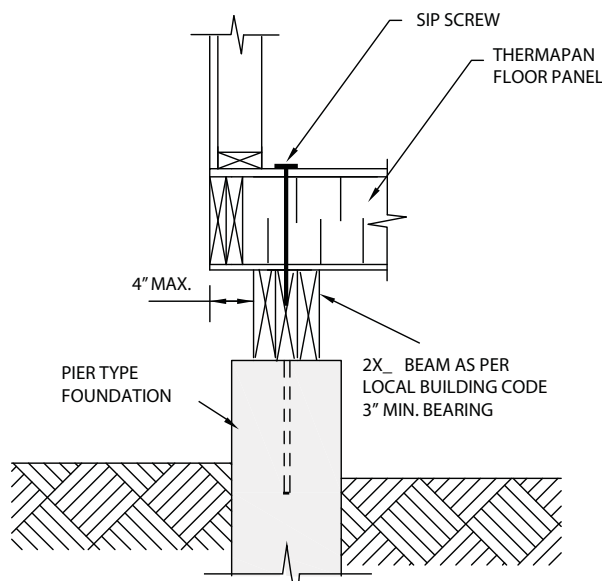
TITLE		
FLOOR PANEL DETAILS		
REFERENCE	SCALE	
	N.T.S.	
DATE	REVISION	DWG. No.
FEBRUARY 2012	9	FL-1



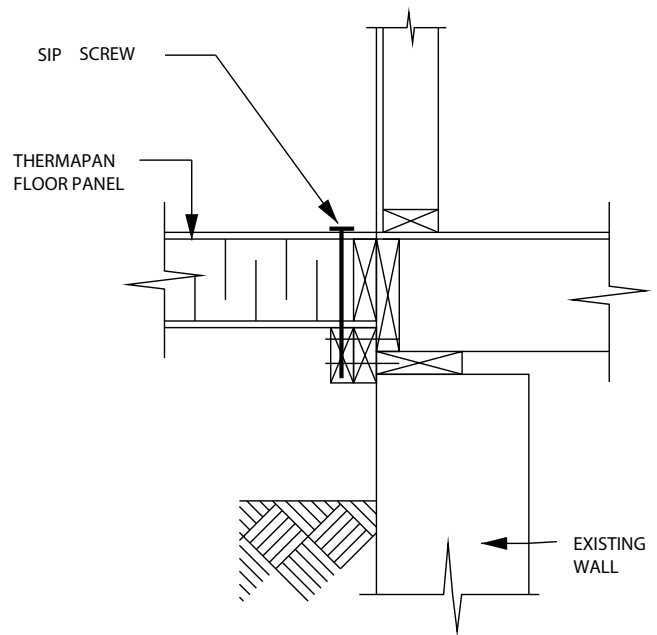
DETAIL F1
FOUNDATION WALL



DETAIL F3
NEW FLOOR TO EXISTING WALL



DETAIL F2
PIER



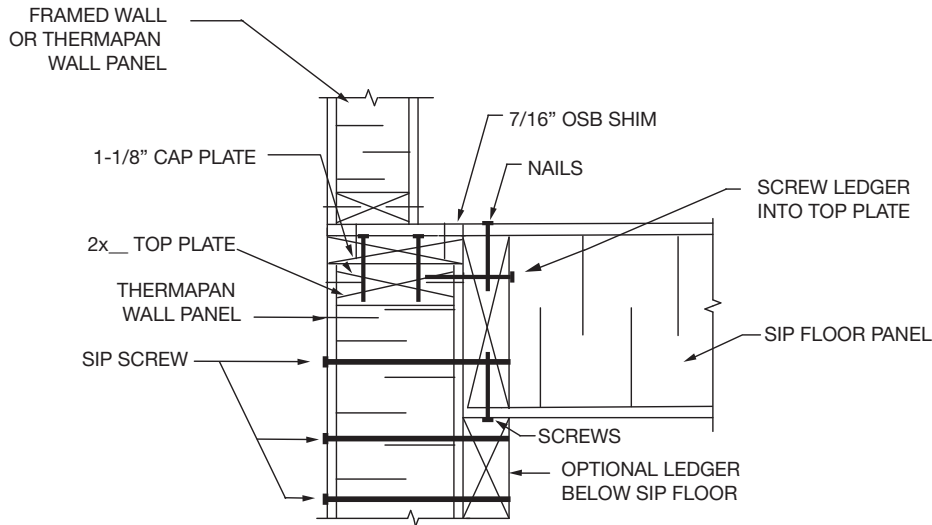
DETAIL F4
NEW FLOOR TO EXISTING WALL

NOTE: REFERENCE FLOOR PANEL FASTENING TABLE ON CONNECTION DESIGN (CD) SHEET OF ENGINEERING DRAWINGS



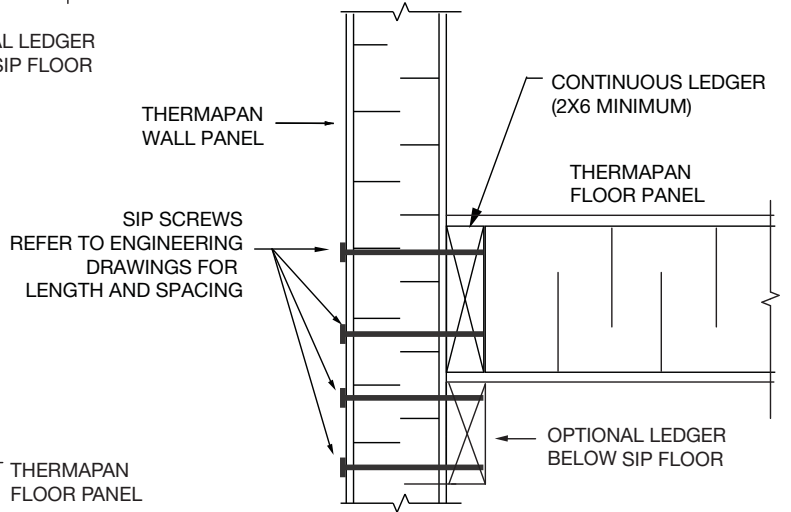
www.thermapan.com
1-877-443-WALL (9255)

TITLE		PROJECT	
<p align="center">FLOOR PANEL CONNECTIONS (TO FOUNDATION OR EXISTING WALLS)</p>		<p align="center">N.T.S.</p>	
		REFERENCE	SCALE
DATE	REVISION	DWG. No.	
NOVEMBER 2011	2	FL-2	



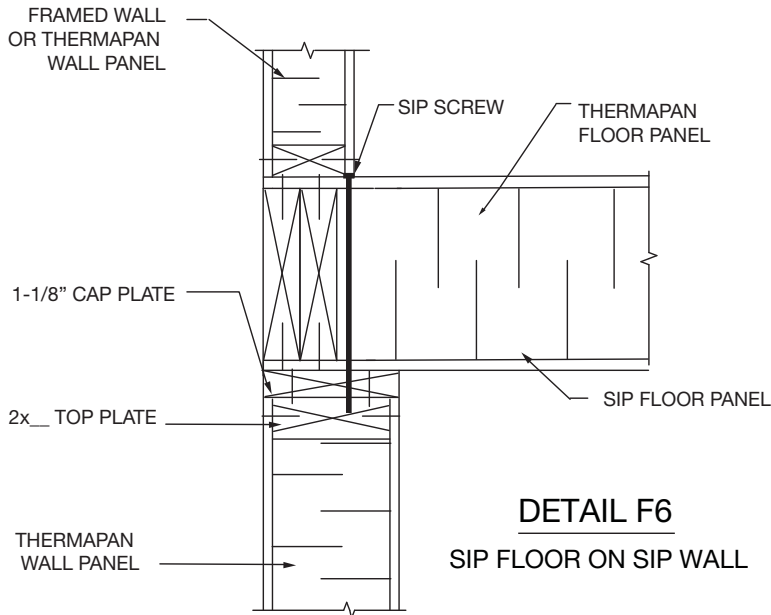
DETAIL F5

SUSPENDED SIP FLOOR TO SIP WALL



DETAIL F7

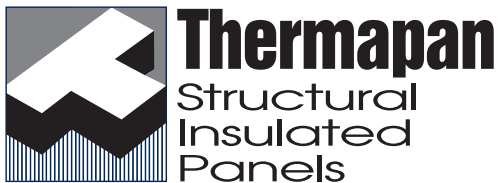
SIP FLOOR ATTACHED TO SIDE OF SIP WALL



DETAIL F6

SIP FLOOR ON SIP WALL

NOTE: REFERENCE FLOOR PANEL FASTENING TABLE ON CONNECTION DESIGN (CD) SHEET OF ENGINEERING DRAWINGS



www.thermapan.com
1-877-443-WALL (9255)

TITLE		PROJECT	
<p style="text-align: center;">FLOOR PANEL CONNECTIONS (TO SIP EXTERIOR AND SIP FOUNDATION WALLS)</p>			
		REFERENCE	SCALE
		N.T.S.	
DATE	REVISION	DWG. No.	
SEPTEMBER 2015	1	FL-3	